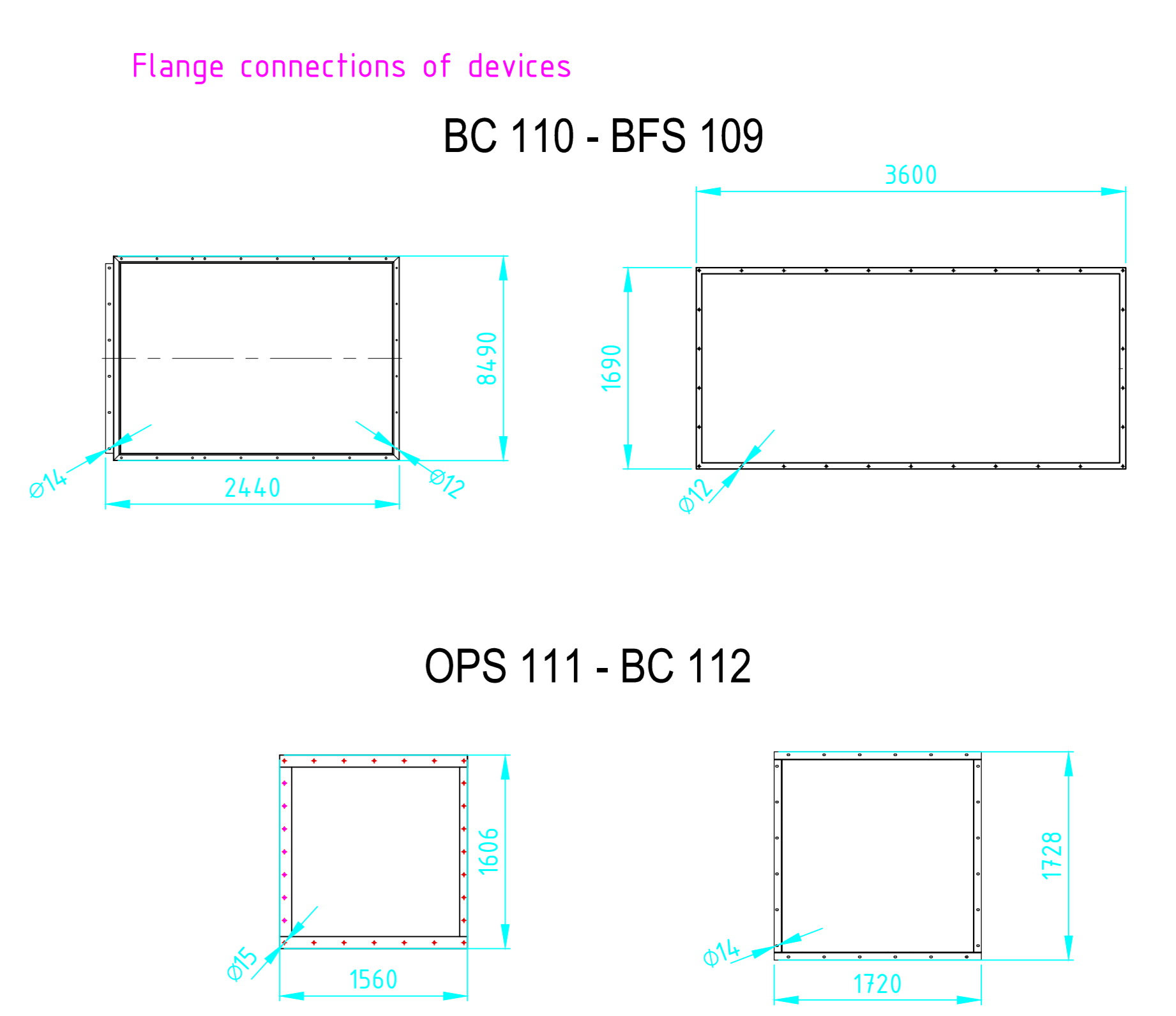
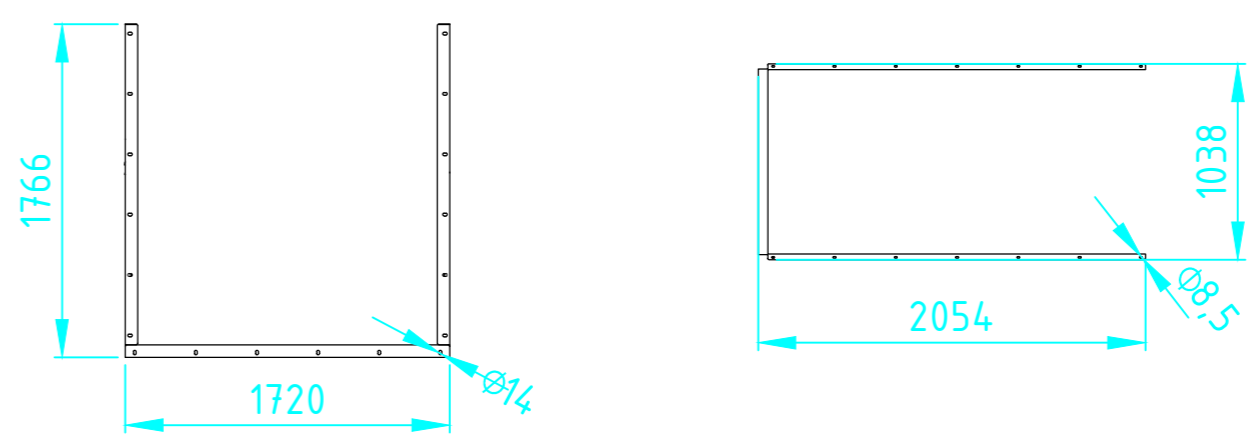


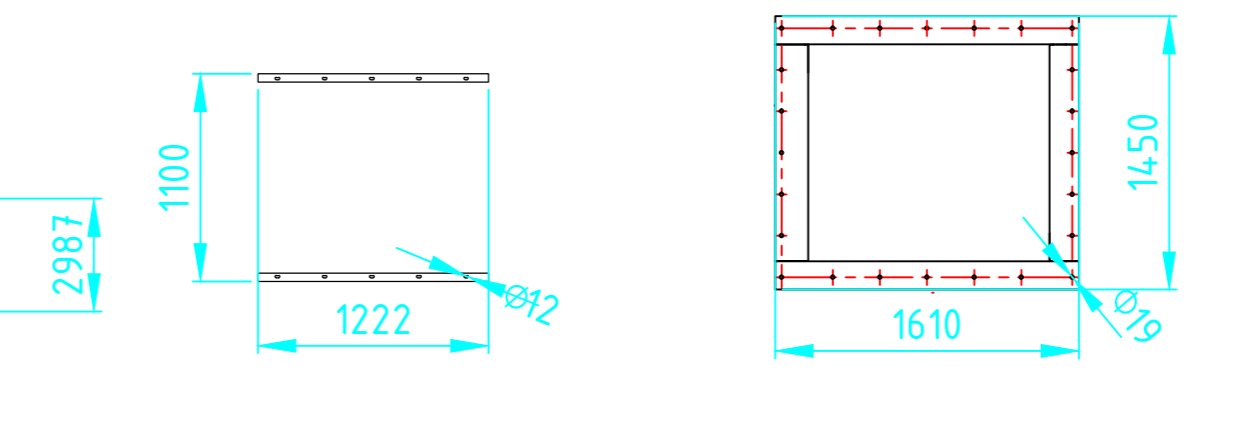
- References to projects:
1. Building 211: VKJ01-211-DP-SK-13
 2. Construction screening part: VKJ01-211-DP-SK-13.3022
 2. Foundations: VKJ01-211-DP-SK-13.1B51
 - VKJ01-211-DP-SK-13.1331
 3. Electricity: E-10.7751 - "0,69 kV V20BFC / V20BFD biomass area power supply switchgear"
 - E-10.7754 - "0,4 kV V20BHE / V20BHF biomass area power supply switchgear"
 - E-10.7794 - "V20UBA switchgear building. Cable routes and management"



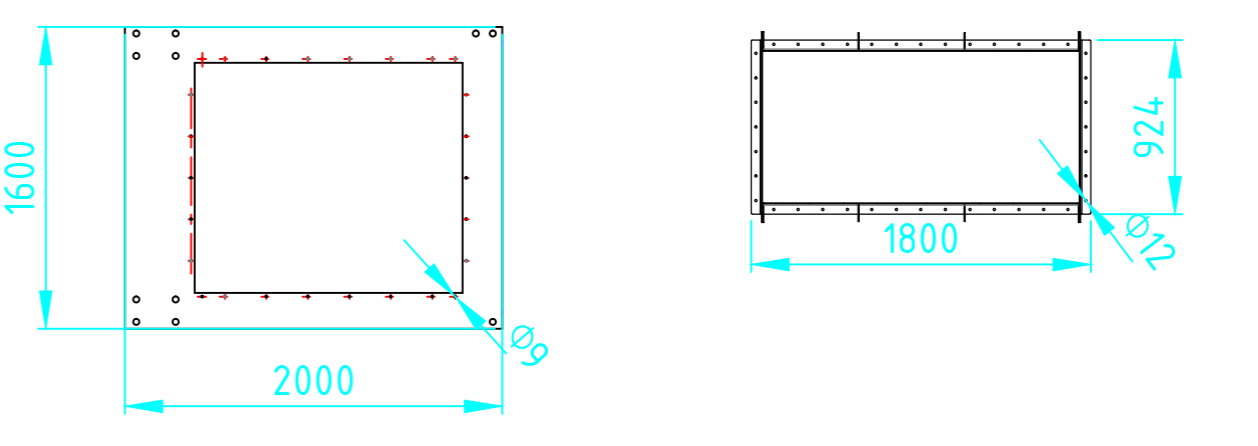
BC 112 - Stone separation line



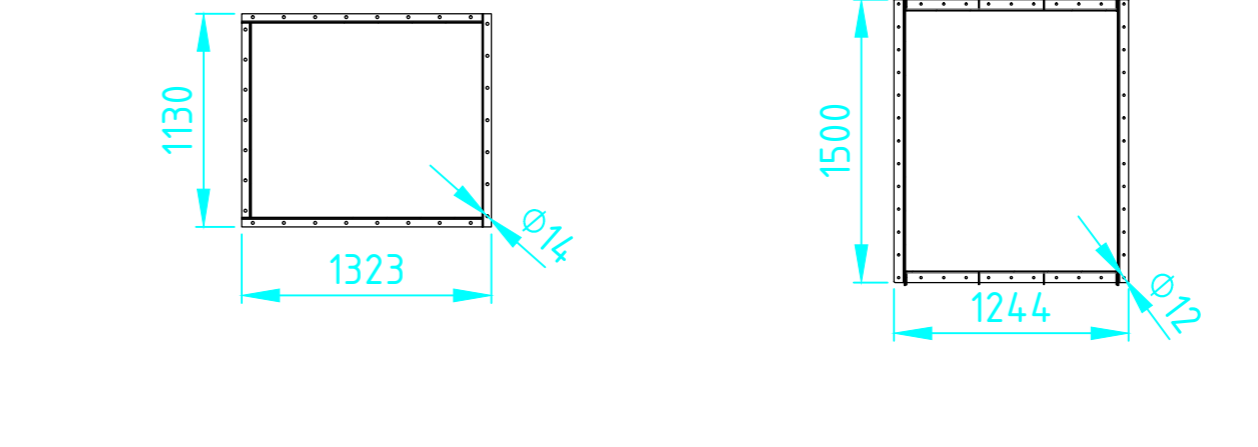
Stone separation line - OPC 117



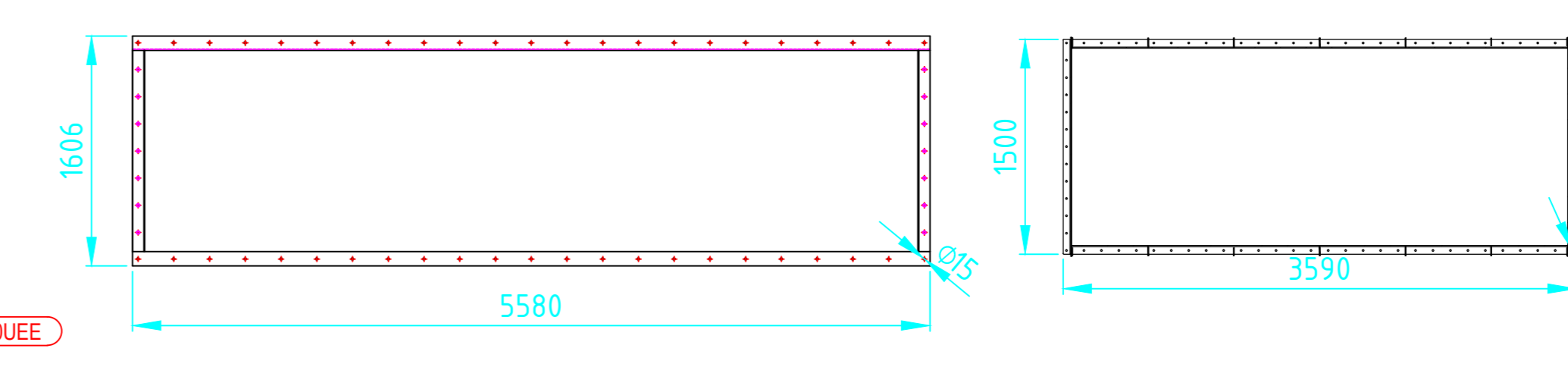
OPC 117 - CC 118



CC 118 - CC 119



OPS 111 - CC 119



NO.	PART NUMBER	DESCRIPTION	KKS	QUANTITY	ABZHT	TORNAZH
14	VKJ-RFK-V20-MB030-3020016	Magnetic separator BFS 209	V20BFC01M01	1	-	-
15	VKJ-RFK-V20-MB030-3020015	Magnetic separator BFS 109	V20BFC01M01	1	-	-
14	VKJ-RFK-V20-MB030-3020014	Disc screen OPS 211	V20BFC01M01	1	-	-
13	VKJ-RFK-V20-MB030-3020013	Disc screen OPS 111	V20BFC01M01	1	-	-
12	VKJ-RFK-V20-MB030-3020012	Crusher OPC 217	V20BFC01M01	1	-	-
11	VKJ-RFK-V20-MB030-3020011	Crusher OPC 117	V20BFC01M01	1	-	-
10	VKJ-RFK-V20-MB030-3020010	Stone separator S051000_2	-	1	-	-
9	VKJ-RFK-V20-MB030-3020009	Stone separator S051000_1	-	1	-	-
8	VKJ-RFK-V20-MB030-3020008	Chain conveyor CC 219	V20BFA0AF303	1	-	-
7	VKJ-RFK-V20-MB030-3020007	Chain conveyor CC119	V20BFA0AF303	1	-	-
6	VKJ-RFK-V20-MB030-3020006	Chain conveyor CC218	V20BFA0AF302	1	-	-
5	VKJ-RFK-V20-MB030-3020005	Chain conveyor CC118	V20BFA0AF302	1	-	-
4	VKJ-RFK-V20-MB030-3020004	Belt conveyor BC212	V20BFA0AF101	1	-	-
3	VKJ-RFK-V20-MB030-3020003	Belt conveyor BC112	V20BFA0AF101	1	-	-
2	VKJ-RFK-V20-MB030-3020002	Belt conveyor BC210	V20BFA0AF101	1	-	-
1	VKJ-RFK-V20-MB030-3020001	Belt conveyor BC110	V20BFA0AF101	1	-	-

NO.	DATE	DESCRIPTION	BY	CHECKED	APPROVED
A	2019-07-03	Antisais laida / Second issue			
0	2019-03-28	Prima laida / First issue			

<p>Hidroterra</p> <p>UAB Vilniaus Kogeneracinis Jėgaitis</p> <p>Engineering and construction of combined heat and power plant Jodionys str. 15, Vilnius</p>	<p>Project name: 211.220 / structure 211.220</p> <p>Document title: Biomass chipping, screening and conveying line to silos</p>
--	---

<p>EPC Project: Construction of a new Combined Heat and Power Plant in Vilnius</p> <p>Employer: UAB Vilniaus Kogeneracinis Jėgaitis</p>	<p>Country: Lithuania</p> <p>Contract No: 19-07-03</p>
---	--

<p>Subsupplier information:</p> <p>Contractor: R&P&O S.A. (POLAND) LEMKUA</p> <p>Contractor: Werno Marcin (POLAND) LEMKUA</p>	<p>Contractor: Werno Marcin (POLAND) LEMKUA</p> <p>Contractor: Werno Marcin (POLAND) LEMKUA</p>
---	---

<p>Document status: 111</p> <p>Design level status: AFC</p> <p>Document type: Mechanical</p>	<p>Project status: 01</p> <p>Project name: 2019-07-03</p>
--	---